

INTEGRATION GUIDE

# AERL LiFe<sup>2</sup> → AERL Cloud

via an AERL Nexus gateway, over CAN bus

**AERL Nexus • Rev 1.0.0**



This guide shows how to bring an AERL LiFe<sup>2</sup> battery's data into AERL Cloud using an AERL Nexus gateway over CAN bus.

REVISION <b>1.0.0</b>	EFFECTIVE <b>06 / 2026</b>	AUDIENCE <b>Installers</b>	GATEWAY <b>AERL Nexus</b>
TRANSPORT <b>CAN bus</b>	APPLIES TO <b>Any approved CAN device</b>	CLOUD SETUP <b>docs.aerl.cloud</b>	FORMAT <b>A4 • 3 pages</b>

— IN THIS GUIDE

<b>01</b> <b>Connecting the Nexus to the CAN bus</b> 02 Inline pass-through or terminated endpoint	<b>02</b> <b>Getting online</b> 03 Ethernet, power, claim in AERL Cloud
<b>03</b> <b>Quick checklist</b> 03 Commissioning summary	

# Connecting the Nexus to the CAN bus

Note, the same setups instructions in this document apply to **any AERL-approved CAN bus product** (battery, inverter, MPPT, etc). Once the Nexus is on the CAN bus, it discovers and handles communications with the approved device automatically, there is nothing to configure on the battery or inverter for monitoring.

The Nexus has two CAN ports that are **internally linked**, so it can sit directly on the existing CAN bus between your AERL-approved products. Connect it one of two ways:

## Option 1 — Inline pass-through (preferred)

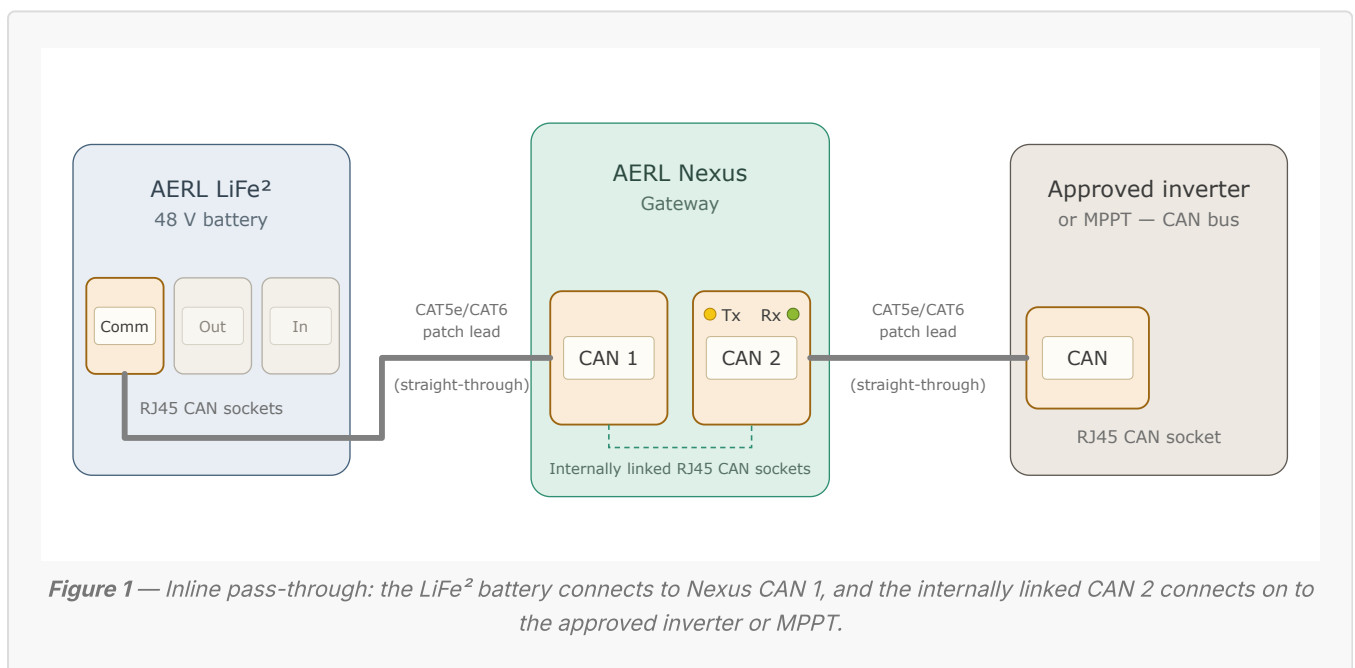
Insert the Nexus inline on the CAN bus. Because CAN 1 and CAN 2 are internally linked, existing communications keep flowing through the Nexus:

- **Battery** → **Nexus CAN 1**
- **Nexus CAN 2** → **approved inverter / MPPT**

See Figure 1 for this arrangement.

## Option 2 — Endpoint with termination plug

If the Nexus sits at the end of the CAN bus, connect one CAN port to the bus and fit an **RJ45 resistor termination plug** to the other CAN port.



## Getting online

---

Once the Nexus is on the CAN bus, it handles the rest. Plug in **Ethernet**, power it on, and claim it in AERL Cloud. For detailed AERL Cloud setup instructions, see [docs.aerl.cloud](https://docs.aerl.cloud).

## Quick checklist

---

- 1 Connect the Nexus to the CAN bus either inline (CAN 1 from the battery, CAN 2 to the inverter/MPPT), or at the end of the bus with a termination plug.
- 2 Get the Nexus online and claim it in AERL Cloud — see [docs.aerl.cloud](https://docs.aerl.cloud).
- 3 Confirm the LiFe<sup>2</sup> data appears in AERL Cloud.

---

### Australian Energy Research Laboratories

1/75 Bluestone Circuit, Seventeen Mile Rocks, QLD 4073, Australia

Tel: +61 1800 950 865 · [sales@erl.com.au](mailto:sales@erl.com.au)

© 2026 AERL Pty. Ltd. All Rights Reserved.