

PRODUCT OVERVIEW

The COOLMAX SR Rack Mount MAXIMIZER™ is a highly efficient and specialised MPPT solar power battery charge controller especially developed for Telecommunication and other large scale industrial and commercial off grid applications.

Specialised features of the COOLMAX SR Rack Mount MAXIMIZER™ include 19 inch RMD sub rack mount design, on-board data logging and alarms, passive cooling, no moving parts, stackable Master/Slave design, pluggable module back plane connection and comprehensive remote monitoring capability supporting CAN communications protocol.

The COOLMAX SR Rack Mount MAXIMIZER™ is a step-down converter, meaning that higher voltage solar arrays can be used with lower voltage battery packs.





PRODUCT DATASHEET

COOLMAX SR - Rack Mount
Australian Energy Research Labs
AER05.006 – G1 v6
19 February 2016

PRODUCT FEATURES

- 99% Peak Power Conversion Efficiency
- High input voltage for lower install cost
- Synchronous Rectification
- Smart Multi-Stage Battery Charging Profile (Bulk, Absorption and Float Stages)
- Support for Active Battery Temperature Compensation
- Adjustable for all types of solar cells and battery arrays
- Support for low battery alarm or automatic low battery switch off circuit
- Passive cooling & no moving parts results in highly reliable operation
- Aluminium enclosure with backplane connector for modular installation in standard 19" sub rack
- Auto Rack Configured Master/Slave Configurability for parallel operation
- Modules can be paralleled within the Rack at the output
- Manual Reset Button
- Auxiliary Output
- Over-voltage and Over-current Shutdown Protection
- CAN Communications Protocol
- Remote monitoring via Software capability allows monitoring of:
 - Output voltage
 - Output current
 - Output charge (Ah/day)
 - PV voltage
 - PV current
 - Battery temperature
 - Fault and Error Conditions,
- Daily statistics of the above signals logged on-board
- User defined on-board logging of above signals
- Full Telecom specification
- CE and C-Tick compliant



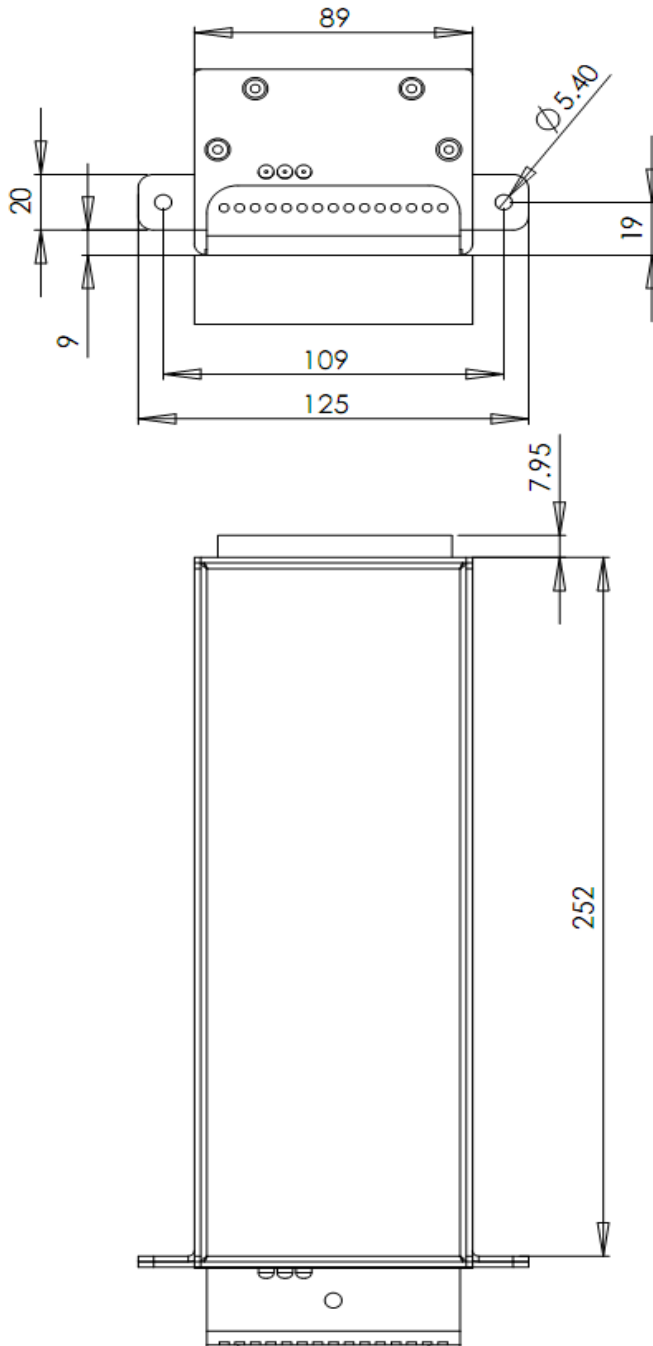
PRODUCT DATASHEET

COOLMAX SR - Rack Mount
Australian Energy Research Labs
AER05.006 – G1 v6
19 February 2016

PRODUCT SPECIFICATIONS

CHARACTERISTIC	SRMVR
Nominal Battery Voltage - Selectable	24 to 84V
Maximum Output Current	30A
Maximum Recommended PV Array	2500W @ 84Vout(nom) 1500W @ 48Vout (nom) 900W @ 24Vout(nom)
Maximum PV Voltage Open Circuit	180V
Power Conversion Efficiency	99%
Battery Temperature Compensation	Yes
Polarity	Common Positive
Master/Slave Configurability	Yes
Low Battery Alarm/Automatic Low Battery Switch Off	Yes
Passive Cooling – no moving parts	Yes
Operating Temperature Range	-20° to 50+°C
Remote Temperature Sensor	Included
Storage Temperature	-30° to 70° C
Self Consumption	75mA @ 20V
Data Logging	356 days
Communication Protocol Options	CAN
Enclosure type	19" Sub Rack (Indoor Type1)
Weight	2kg
Outer dimensions (L x W x H)	294 x 125 x 92 mm

PRODUCT DIMENSIONS



DISCLAIMER: ALL PRODUCT, PRODUCT SPECIFICATIONS AND DATA ARE SUBJECT TO CHANGE WITHOUT NOTICE TO IMPROVE RELIABILITY, FUNCTION OR DESIGN OR OTHERWISE.

Australian Energy Research Laboratories Pty Ltd, its affiliates, agents, and employees, and all persons acting on its or their behalf (collectively, "AERL"), disclaim any and all liability for any errors, inaccuracies or incompleteness contained in any datasheet or in any other disclosure relating to any product. Copyright © 2016 all rights reserved